

S8081 Series Low Noise Damper Actuators

This damper actuator is designed for damper control in HVAC systems.

◆ Features

- Torque: 2Nm, 5Nm
- Nominal Voltage: AC/DC 24V and AC 230V
- Control Method: 2 point/3 point
0(2)-10V or 0(4)-20mA Analogue

◆ Order Code

S8081-XXXXX(J)

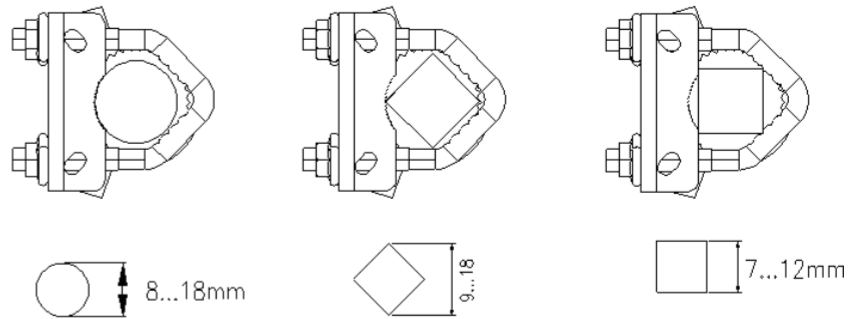
- Low Noise
- Supply Voltage: AC/DC 24V and AC 230V
- Auxiliary Switches F: 2 SPDT
N: no SPDT
- Control Type: A(Analogue) Modulating; D(Digital) on/off
- Torque: 2Nm., 5Nm







◆ S8081-02/05 Technical Specifications

Items	S8081-02DN(F)/ 24(230)V(J)	S8081-05DN(F)/ 24(230)V(J)	S8081-02AN(F)/ 24V(J)	S8081-05AN(F)/ 24V(J)
Torque (Nm)	2Nm	5Nm	2Nm	5Nm
Stopping Torque (Nm)	>2Nm	>5Nm	>2Nm	>5Nm
Damper Size (m²)	0.5m ²	1m ²	0.5m ²	1m ²
Running Time (sec)	75s	150s	75s	150s
Nominal Voltage (V)	AC/DC 24V; AC 230V 50/60Hz			
Supply Voltage Range	AC/DC 19.2-28.8V ; AC 85-265V			
Power Consumption (on)	1.5W			
Power Consumption (off)	0.7W			
Reactive Power (VA)	5			
Weight (Kg)	0.5Kg			
Control Signal	2 point/3 point		0(2)-10V or 0(4)-20mA Analogue	
Rotation Angle	0~90°(Max 93°)			
Rotation Direction	L/R switch			
Positional Feedback	None or 2 Auxiliary Switches			
Life Cycle	≥70000			
Sound Power Level	≤35dB			
Electrical Protection Class	II/III			
Ingress Protection	IP54			
Ambient Temperature	-30~+50°C			
Ambient Humidity	5~95% RH			
Storage Temperature	-40~+80°C			
Shaft Diameter	8-18mm			
Accessories	1m cable			
Compliance	CE, UKCA, EAC, RoHS certificates			

◆ S8081-02/05 Shaft Dimensions



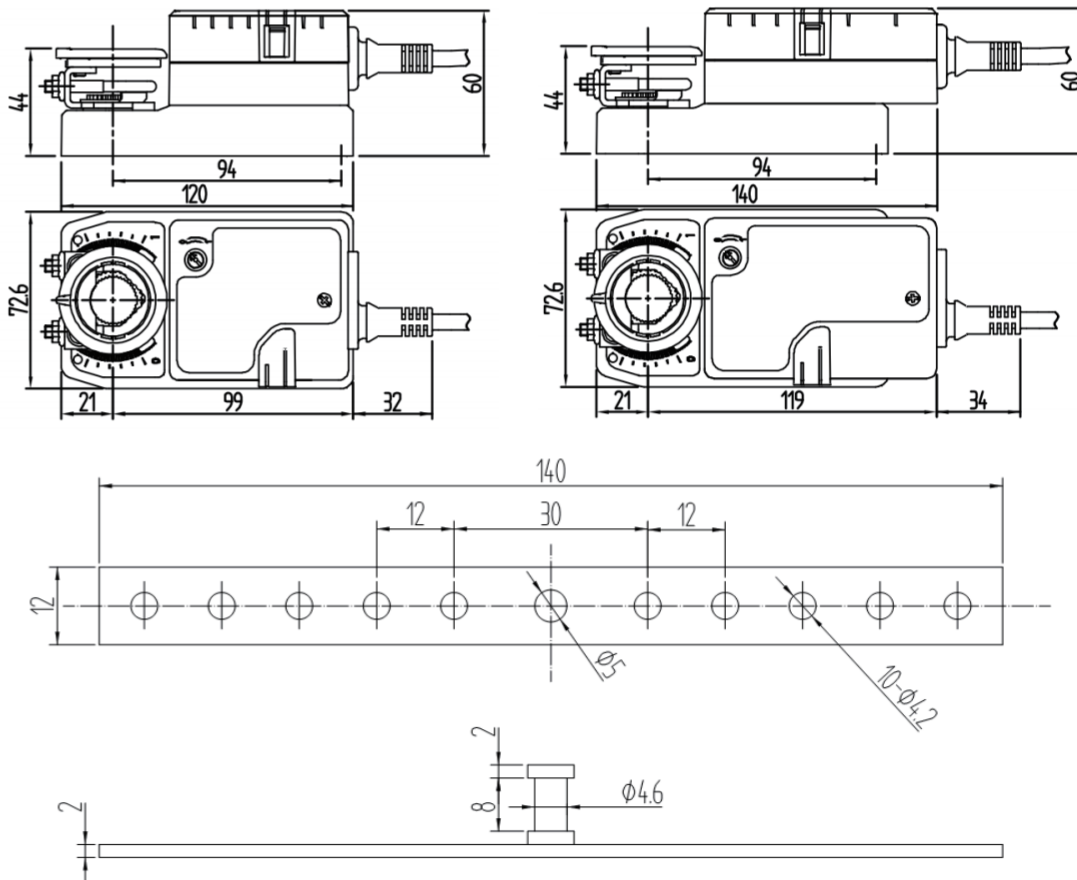
Unit: mm

Shaft	Length			
	≥ 40	8.....18	≥ 7	≤ 18

◆ S8081-02/05 Dimensions unit (mm)

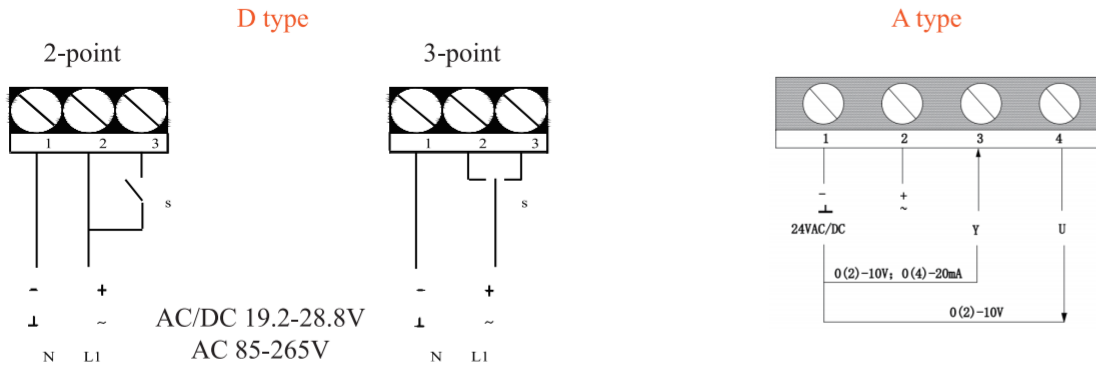
S8081-02/05AN/24V(J)
S8081-02/05DN/24V(J)

S8081-02/05AF/24V(J)
S8081-02/05DF/24V(J)
S8081-02/05DN(F)/230V(J)



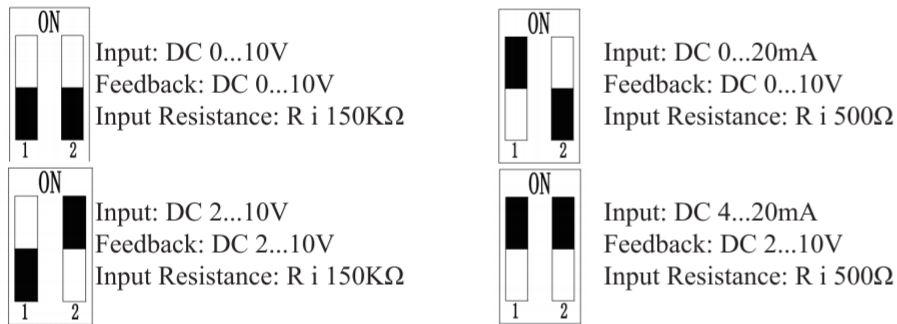
S8081 Series Low Noise Damper Actuators

◆ S8081 Wiring Diagrams

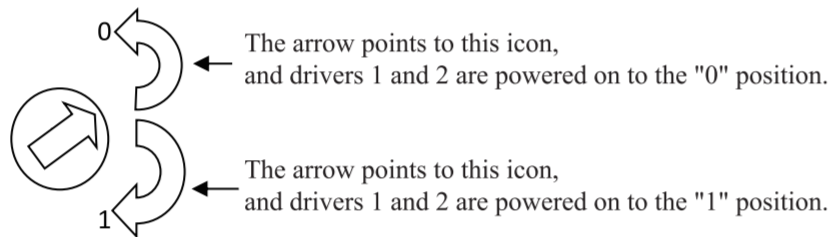


◆ A Type Control Signal and Input Impedance Selections

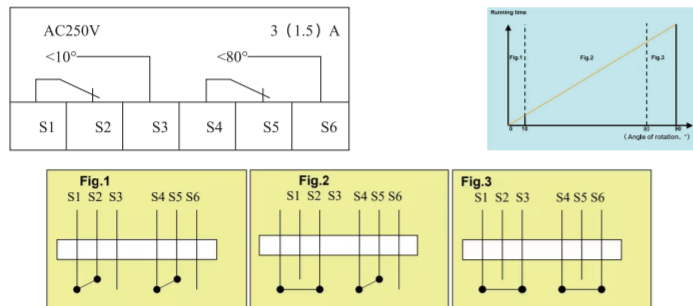
According to the needs of the site, the position of the SW1 DIP switch in the circuit board can be adjusted to achieve the conversion of control signal and feedback signal, see the figure below for details.



◆ Direction of Rotation



◆ Auxiliary Switch Diagrams



1. The installation must be carried out by personnel who have received relevant training or relevant work experience. During the installation process, be careful not to operate with power on, and install the actuator according to the regulations.
2. The device contains electrical and electronic accessories, so it is prohibited to dispose of it as ordinary garbage after the product is scrapped. The disposal method should comply with the regulations and requirements of the local government.