

S6061SC Series Spring Return Fire and Smoke Damper Actuators

This spring return fire and smoke damper actuator is designed for damper control within HVAC systems.

◆ Features

- Torque: 3.5Nm, 5Nm, 10Nm, 15Nm, 20Nm
- Nominal Voltage: AC/DC 24V and AC 230V
- Control Method: 2 point; 0(2)-10V Analogue

◆ Order Code

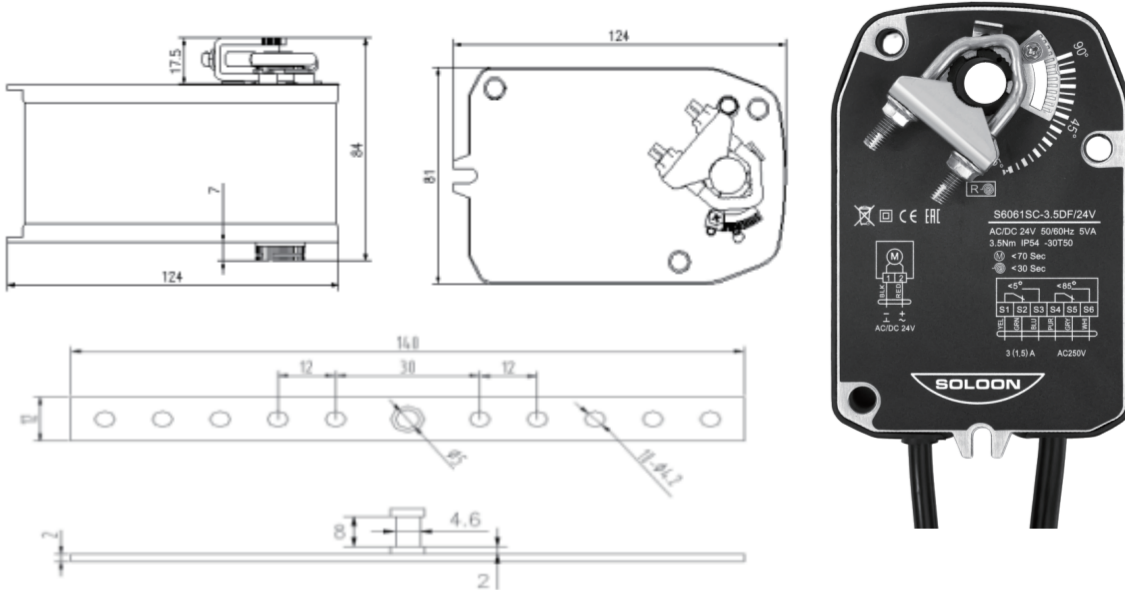
S6061 XX-XXXX/X

- Supply Voltage: AC/DC 24V and AC 230V
- Auxiliary Switches F: 2 SPDT
N: no SPDT
- Control Type: A(Analogue) Modulating; D(Digital) on/off
- Torque: 3.5Nm, 5Nm, 10Nm, 15Nm, 20Nm
- SC: Spring Return


◆ S6061SC-3.5 Technical Specifications

Items	S6061SC-3.5DN(F)/24V	S6061SC-3.5DN(F)/230V	S6061SC-3.5AN(F)/24V
Torque (Nm)	3.5Nm		
Damper Size (m ²)	0.8m ²		
Running Time (sec)	Motor < 70s; Spring Return < 30s		
Nominal Voltage (V)	AC/DC 24V; AC 230V 50/60Hz		
Supply Voltage Range	AC/DC 19.2-28.8V; AC 85-265V		
Power Consumption (on)	2.5W		
Power Consumption (off)	1.6W		
Reactive Power (VA)	5		
Weight (Kg)	1Kg		
Control Signal	2 point		0-10V
Rotation Angle	0~90°(Max 93°)		
Limited Angle	5~85°(by 5°)		
Positional Feedback	None or 2 Auxiliary Switches		
Life Cycle	≥70000		
Sound Power Level	50dB and 62dB		
Electrical Protection Class	III	II	III
Ingress Protection	IP54		
Ambient Temperature	-30~+55°C		
Ambient Humidity	5~95% RH		
Storage Temperature	-40~+80°C		
Shaft Diameter	 8-14mm		
Accessories	1m cable		
Compliance	CE, UKCA, UL, EAC, RoHS certificates		

◆ S6061SC-3.5 Dimensions unit (mm)

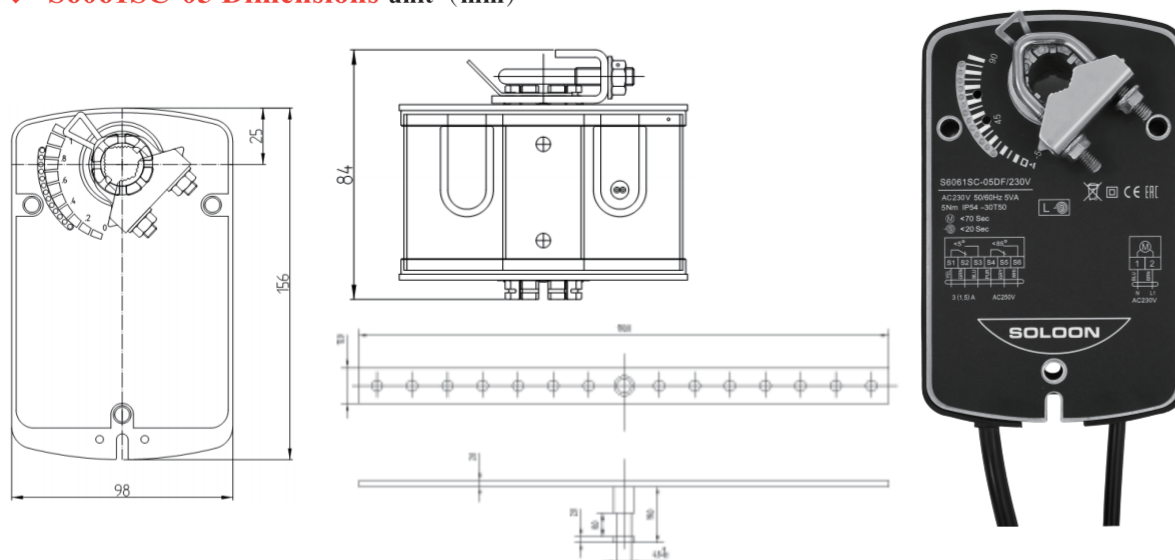


◆ S6061SC-05 Technical Specifications


Items	S6061SC-05DN(F)/24V	S6061SC-05DN(F)/230V	S6061SC-05AN(F)/24V
Torque (Nm)	5Nm		
Damper Size (m ²)	1m ²		
Running Time (sec)	Motor< 70s; Spring Return< 20s		Motor< 120s; Spring Return< 20s
Nominal Voltage (V)	AC/DC 24V; 50/60Hz	AC 230V; 50/60Hz	AC/DC 24V; 50/60Hz
Supply Voltage Range	AC/DC 19.2-28.8V	AC 85-265V	AC/DC 19.2-28.8V
Power Consumption (on)	5W		
Power Consumption (off)	2.5W		
Reactive Power (VA)	5		
Weight (Kg)	1.4Kg		
Control Signal	2 point		0-10V
Rotation Angle	0~90°(Max 93°)		
Limited Angle	5~85°(by 5°)		
Positional Feedback	None or 2 Auxiliary Switches		None or 1 Auxiliary Switch
Life Cycle	≥70000		
Sound Power Level	50dB and 62dB		
Electrical Protection Class	III	II	III
Ingress Protection	IP54		
Ambient Temperature	-30~+55°C		
Ambient Humidity	5~95% RH		
Storage Temperature	-40~+80°C		
Shaft Diameter	 12-20mm, pair with Shaft Block 2 for smaller shafts		
Accessories	1m cable		
Compliance	CE, UKCA, UL, EAC, RoHS certificates		

S6061SC Series Spring Return Fire and Smoke Damper Actuators

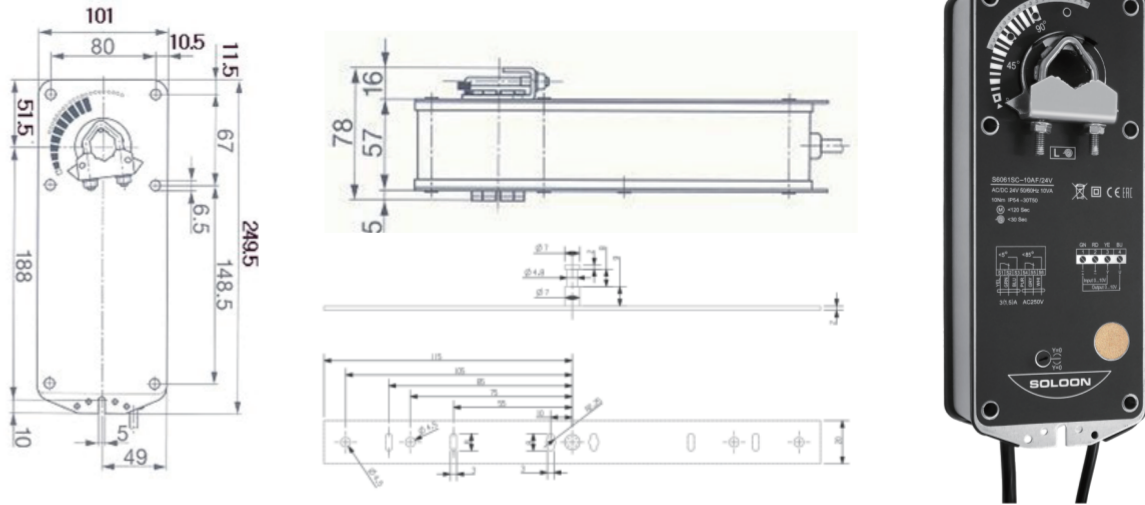
◆ S6061SC-05 Dimensions unit (mm)




◆ S6061SC-10/15 Technical Specifications

Items	S6061SC-10DN(F)/24V	S6061SC-10DN(F)/230V	S6061SC-10AN(F)/24V	S6061SC-15DN(F)/24V	S6061SC-15DN(F)/230V	S6061SC-15AN(F)/24V
Torque (Nm)	10Nm			15Nm		
Damper Size (m²)	2m ²			3m ²		
Running Time (sec)	Motor < 100s; S.R. < 30s		Motor < 120s; S.R. < 30s	Motor < 130s; S.R. < 30s		
Nominal Voltage (V)	AC/DC 24V; AC 230V 50/60Hz					
Supply Voltage Range	AC/DC 19.2-28.8V; AC 85-265V					
Power Consumption (on)	5W			6W		
Power Consumption (off)	2.5W			2.5W		
Reactive Power (VA)	10/15					
Weight (Kg)	2.4Kg					
Control Signal	2 point		0~10V	2 point		0~10V
Rotation Angle	0~90°(Max 93°)					
Limited Angle	5~85°(by 5°)					
Positional Feedback	None or 2 Auxiliary Switches					
Life Cycle	≥70000					
Sound Power Level	50dB and 62dB					
Electrical Protection Class	III	II	III	III	II	III
Ingress Protection	IP54					
Ambient Temperature	-30~+55°C					
Ambient Humidity	5~95% RH					
Storage Temperature	-40~+80°C					
Shaft Diameter	 12-20mm, pair with Shaft Block 4 for smaller shafts					
Accessories	1m cable					
Compliance	CE, UKCA, UL, EAC, RoHS certificates					

◆ S6061SC-10/15 Dimensions unit (mm)

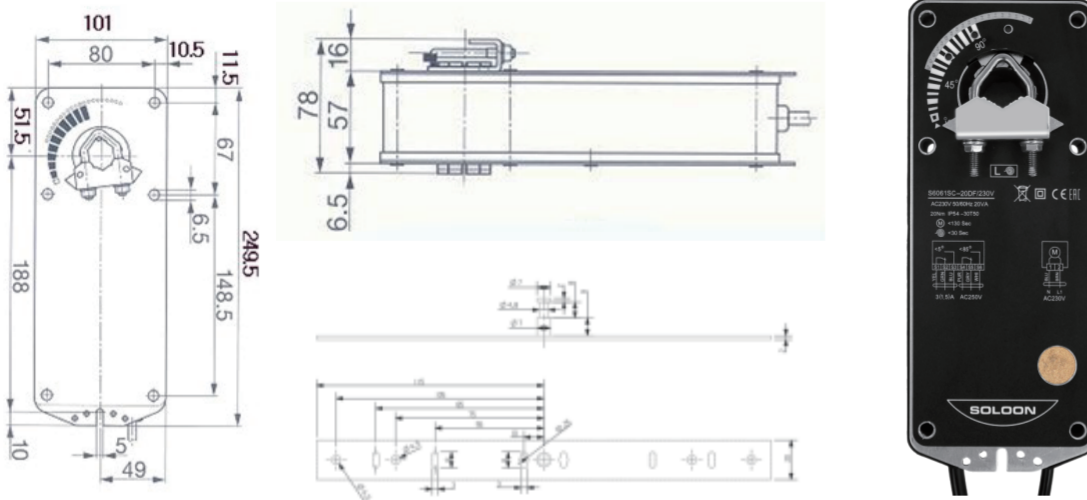


◆ S6061SC-20 Technical Specifications

Items	S6061SC-20DN/24V	S6061SC-20DN/230V	S6061SC-20AN/24V	S6061SC-20DF/24V	S6061SC-20DF/230V	S6061SC-20AF/24V
Torque (Nm)	20Nm					
Damper Size (m ²)	4m ²					
Running Time (sec)	Motor < 130s; Spring Return < 30s					
Nominal Voltage (V)	AC/DC 24V; AC 230V 50/60Hz					
Supply Voltage Range	AC/DC 19.2-28.8V; AC 85-265V					
Power Consumption (on)	7W					
Power Consumption (off)	2.5W					
Reactive Power (VA)	20					
Weight (Kg)	2.4Kg					
Control Signal	2 point		0~10V	2 point		0~10V
Rotation Angle	0~90°(Max 93°)					
Limited Angle	5~85°(by 5°)					
Positional Feedback	None			2 Auxiliary Switches		
Life Cycle	≥70000					
Sound Power Level	50dB and 62dB					
Electrical Protection Class	III	II	III	III	II	III
Ingress Protection	IP54					
Ambient Temperature	-30~+55°C					
Ambient Humidity	5~95% RH					
Storage Temperature	-40~+80°C					
Shaft Diameter	 12-20mm, pair with Shaft Block 4 for smaller shafts					
Accessories	1m cable					
Compliance	CE, UKCA, UL, EAC, RoHS certificates					

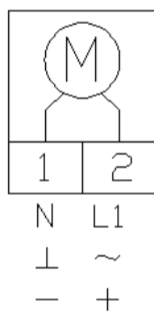
S6061SC Series Spring Return Fire and Smoke Damper Actuators

◆ S6061SC-20 Dimensions unit (mm)



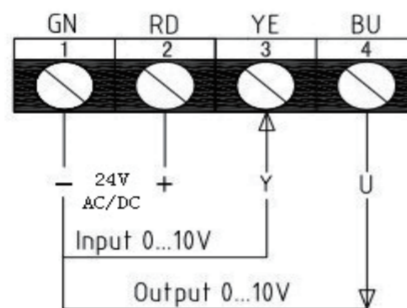
◆ S6061SC Wiring Diagrams

S6061SC-D type

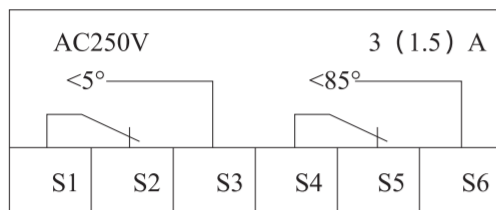


24VAC/DC±10%
230VAC±10%

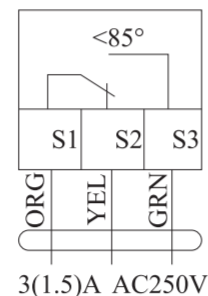
S6061SC-A type



◆ S6061SC Auxiliary Switch Diagram



◆ S6061SC-05A



1. The installation must be carried out by personnel who have received relevant training or relevant work experience. During the installation process, be careful not to operate with power on, and install the actuator according to the regulations.
2. The device contains electrical and electronic accessories, so it is prohibited to dispose of it as ordinary garbage after the product is scrapped. The disposal method should comply with the regulations and requirements of the local government.