

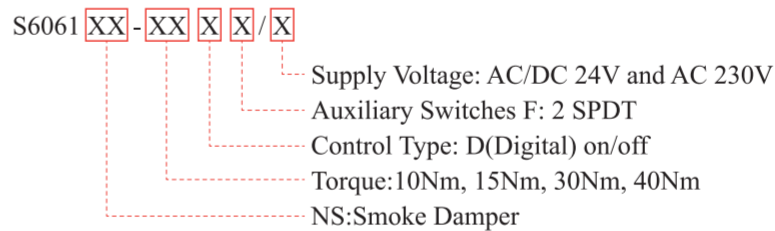
S6061NS Series Non-Spring Return Smoke Damper Actuators

This non-spring return fire and smoke damper actuator is designed for damper control within HVAC systems.

◆ Feature

- Torque: 10Nm, 15Nm, 30Nm, 40Nm
- Nominal Voltage: AC/DC 24V and AC 230V
- Control Method: 2 point/3 point

◆ Order Code

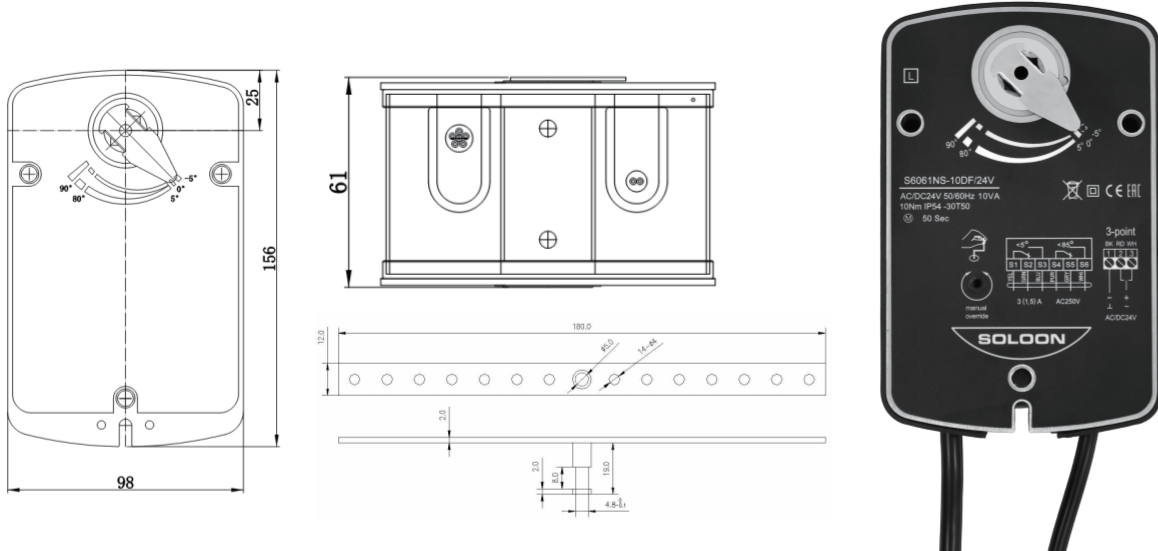


◆ S6061NS-10/15 Technical Specifications

Items	S6061NS-10DF/24V	S6061NS-10DF/230V	S6061NS-15DF/24V	S6061NS-15DF/230V
Torque (Nm)	10 Nm		15Nm	
Stopping Torque (Nm)	> 10 Nm		> 15 Nm	
Damper Size (m ²)	2 m ²		3 m ²	
Running Time (sec)	Motor 50s			
Nominal Voltage (V)	AC/DC 24V; AC 230V 50/60Hz			
Supply Voltage Range	AC/DC 19.2-28.8V; AC 85-265V			
Power Consumption (on)	3 W		5 W	
Power Consumption (off)	1 W		1 W	
Reactive Power (VA)	10			
Weight (Kg)	1.5Kg			
Control Signal	2 point/3 point			
Rotation Angle	0~90°(Max 93°)			
Rotation Direction	5~85°(by 5°)			
Positional Feedback	2 Auxiliary Switches			
Life Cycle	≥70000			
Sound Power Level	50dB			
Electrical Protection Class	II/III			
Ingress Protection	IP54			
Ambient Temperature	-30~+55°C			
Ambient Humidity	5~95% RH			
Storage Temperature	-40~+80°C			
Shaft Diameter	10*10mm/12*12mm square shaft			
Accessories	1m cable			
Compliance	CE, UKCA, UL, EAC, RoHS certificates			

S6061NS Series Non-Spring Return Smoke Damper Actuators

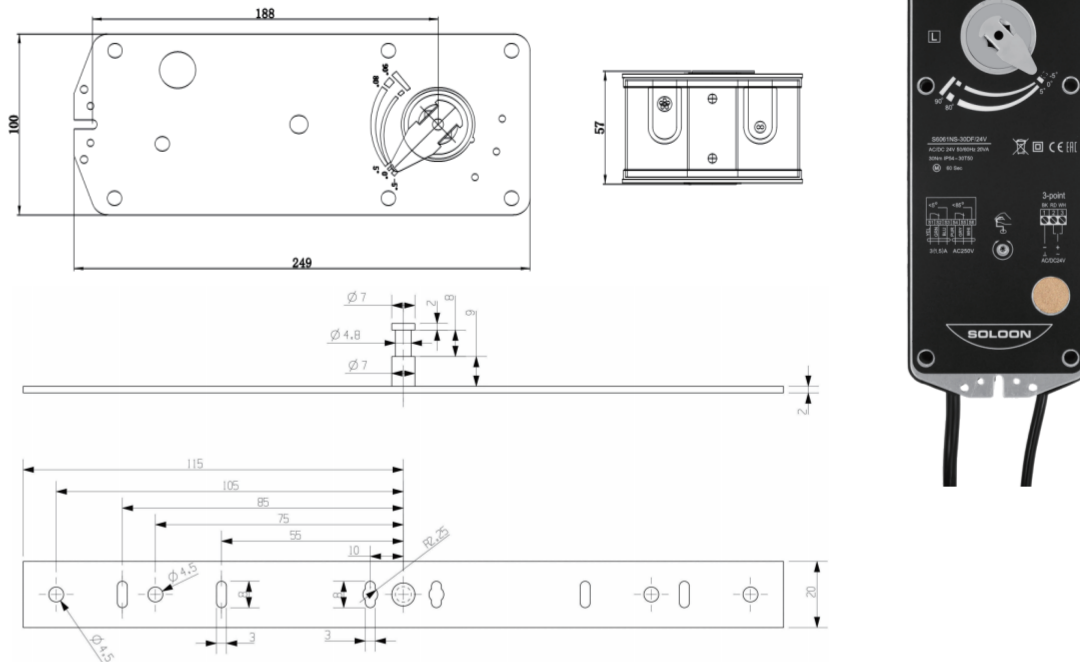
◆ S6061NS-10/15 Dimensions unit (mm)



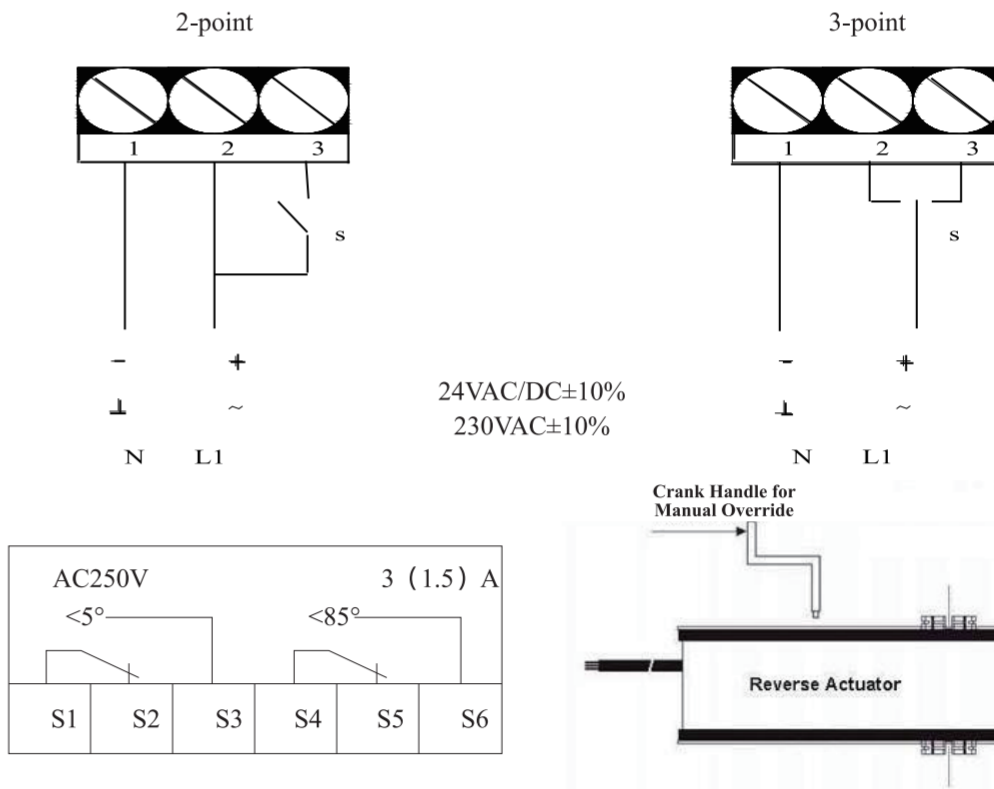
◆ S6061NS-30/40 Technical Specifications

Items	S6061NS-30DF/24V	S6061NS-30DF/230V	S6061NS-40DF/24V	S6061NS-40DF/230V
Torque (Nm)	30Nm		40Nm	
Stopping Torque (Nm)	>30Nm		>40Nm	
Damper Size (m ²)	6m ²		8m ²	
Running Time (sec)	Motor 60s			
Nominal Voltage (V)	AC/DC 24V; AC 230V 50/60Hz			
Supply Voltage range	AC/DC 19.2-28.8V; AC 85-265V			
Power Consumption (on)	6W	6.5W	6W	6.5W
Power Consumption (off)	1W			
Reactive Power (VA)	20			
Weight (Kg)	2Kg			
Control Signal	2 point/3 point			
Rotation Angle	0~90°(Max 93°)			
Rotation Direction	5~85°(by 5°)			
Positional Feedback	2 Auxiliary Switches			
Life Cycle	≥70000			
Sound Power Level	50dB			
Electrical Protection Class	II/III			
Ingress Protection	IP54			
Ambient Temperature	-30~+55°C			
Ambient Humidity	5~95% RH			
Storage Temperature	-40~+80°C			
Shaft Diameter	10*10mm/12*12mm square shaft			
Accessories	1m cable			
Compliance	CE, UKCA, UL, EAC, RoHS certificates			

◆ S6061NS-30/40 Dimensions unit (mm)



◆ S6061NS Wiring Diagrams



1. The installation must be carried out by personnel who have received relevant training or relevant work experience. During the installation process, be careful not to operate with power on, and install the actuator according to the regulations.
2. The device contains electrical and electronic accessories, so it is prohibited to dispose of it as ordinary garbage after the product is scrapped. The disposal method should comply with the regulations and requirements of the local government.